

REVISIONS					
REV	DESCRIPTION	ECR	DRN BY	DATE	CHK
-	INITIAL RELEASE	XXX	JMR	3/24/23	XXX

NOTES:

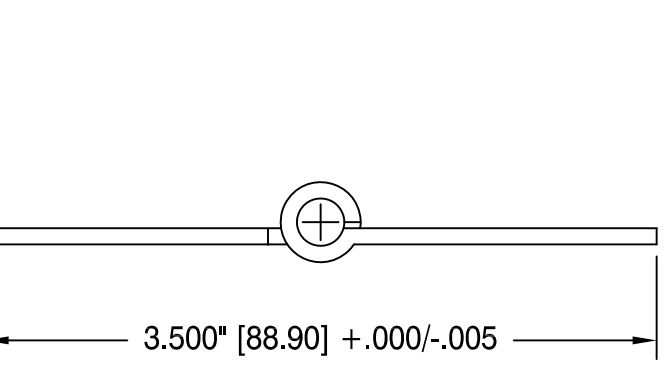
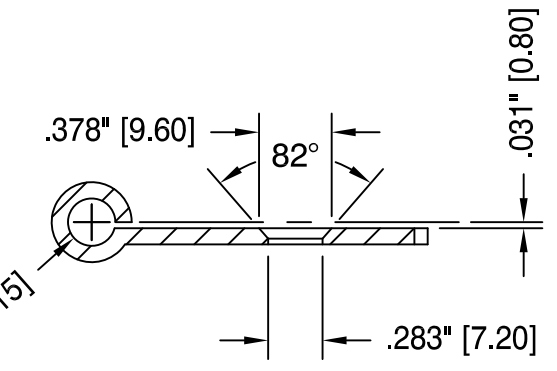
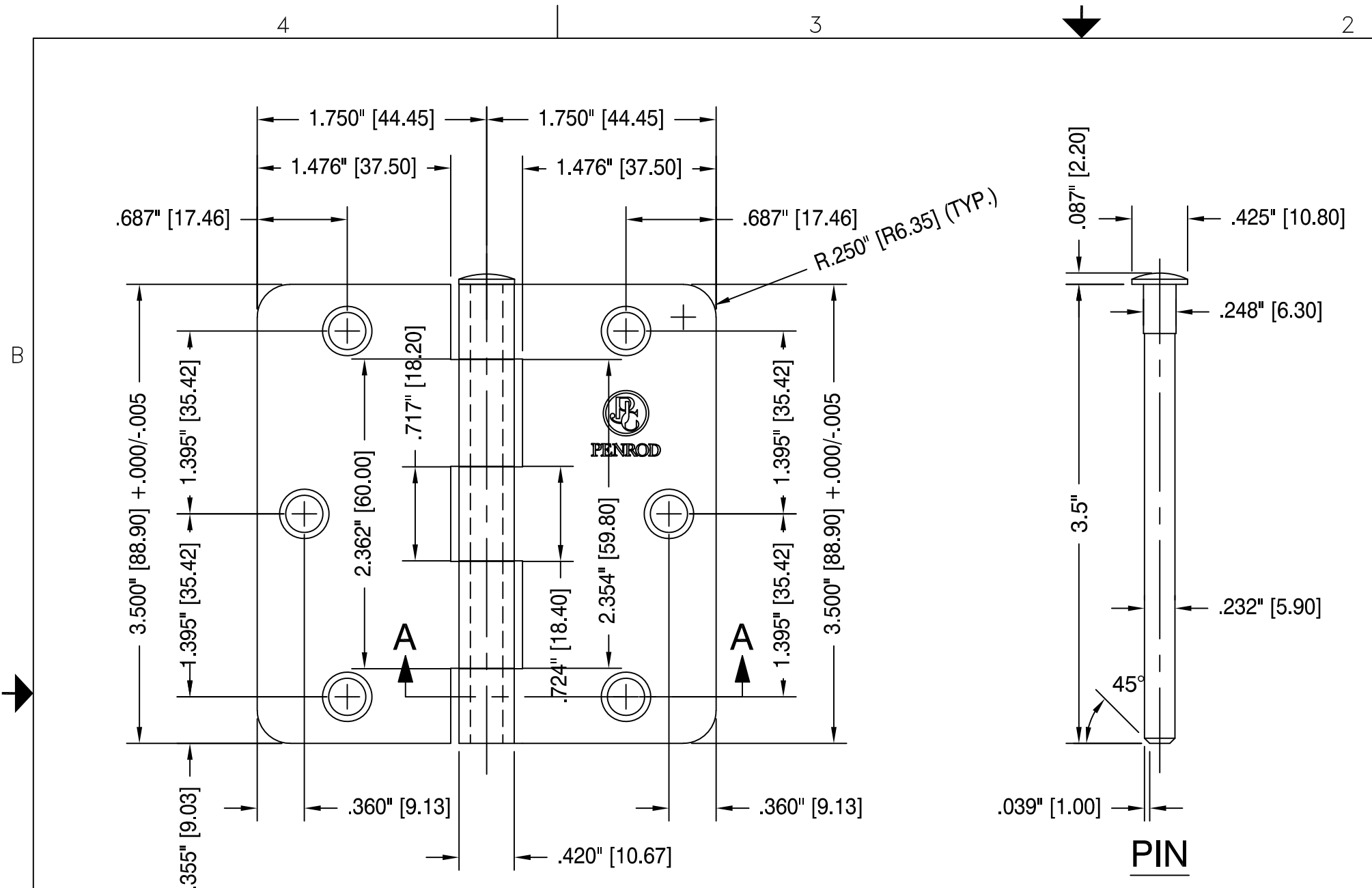
- HINGES AND SCREWS TO BE INDIVIDUALLY CARTONED WITHIN A MASTER PKG CARTON.
- EACH MASTER PKG CARTON TO CONSIST OF 100 HINGES, (600) #9 x 1/2" (W/ #10 HEAD) MACHINE SCREWS, AND (600) #9 x 3/4" WOOD SCREWS.
- HINGES PACKED IN INNERS OF 2 WITH (12) #9 x 1/2" (W/ #10 HEAD) MACHINE SCREWS, AND (12) #9 x 3/4" WOOD SCREWS.
- HINGE COMPLIES WITH ANSI/BHMA A156.1.
- DIMENSION TOLERANCES ARE NOT ACCUMULATIVE.

PACKAGING AVAILABLE:

BULK, 100 PER MASTER
 BOXED, 2 PIECES PER INNER W/ SCREWS, 50 INNERS PER MASTER

ASSEMBLY:

ASSEMBLED
 UNASSEMBLED, PACKED BY LEAF W/ BOX OF PINS



TOP VIEW - ASSEMBLED

SECTION A-A

 thepenrodcompany.com	DRW: J. ROONEY								
	CHK: YONG ZOU								
	APV: BRIAN POWERS								
NOTICE THE USE OF PROPRIETARY INFORMATION CONTAINED HEREON OR REPRODUCTION OF SAME SHALL BE UNDERSTOOD AND AGREED TO BE FOR THE CONVENIENCE OF REFERENCE ONLY. IT SHALL BE FURTHER AGREED THAT THE PATENT RIGHTS AND/OR IMPROVEMENTS CANNOT BE CONSTRUED AS TRANSFERRED OR CONVEYED UNLESS AGREED TO IN WRITING BY A DULY AUTHORIZED OFFICER OF THE PENROD COMPANY.									
TITLE: 3.5" x 3.5" 1/4" Radius x 1/4" Radius ASSEMBLED BOXED TIMELY PREP									
TOLERANCES UNLESS OTHERWISE SPECIFIED DECIMAL .XX = +/- .03 .XXX = +/- .005 FRACTION +/- 1/64 ANGLE +/- 1°	<table border="1"> <tr> <th>SIZE</th> <th>INDEX NO.</th> <th>DWG NO.</th> <th>REV</th> </tr> <tr> <td>B</td> <td></td> <td>3535001</td> <td>-</td> </tr> </table>	SIZE	INDEX NO.	DWG NO.	REV	B		3535001	-
SIZE	INDEX NO.	DWG NO.	REV						
B		3535001	-						
SCALE: FULL DATE: 3/24/23 SHEET 1 OF 1									