

| REVISIONS | | | | | |
|-----------|-----------------|-----|--------|---------|-----|
| REV | DESCRIPTION | ECR | DRN BY | DATE | CHK |
| - | INITIAL RELEASE | XXX | JMR | 3/24/23 | XXX |

NOTES:

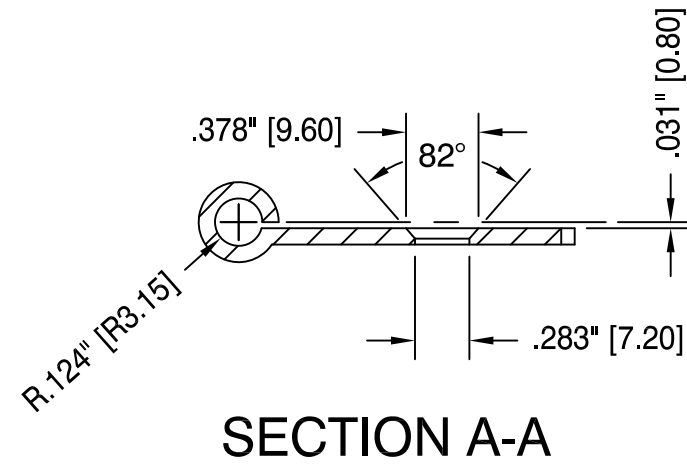
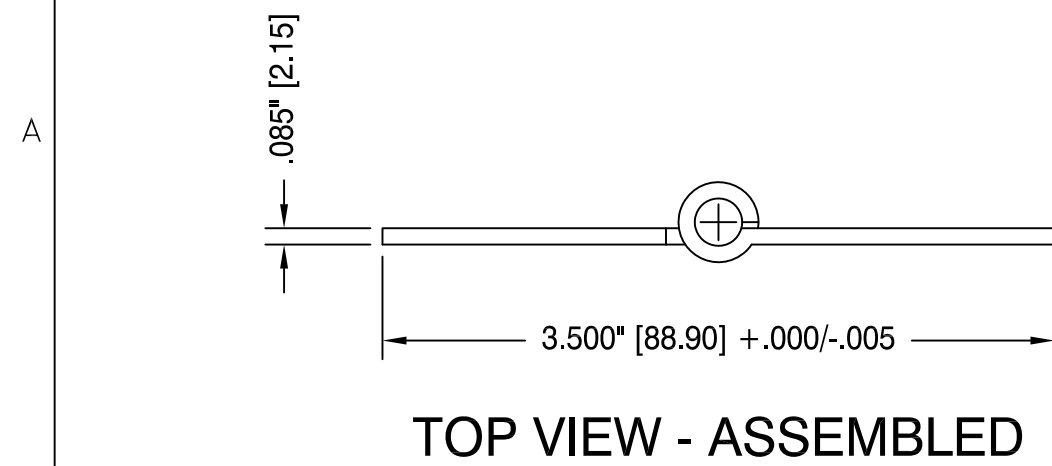
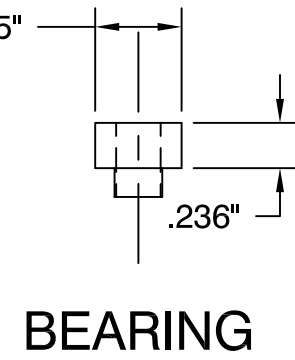
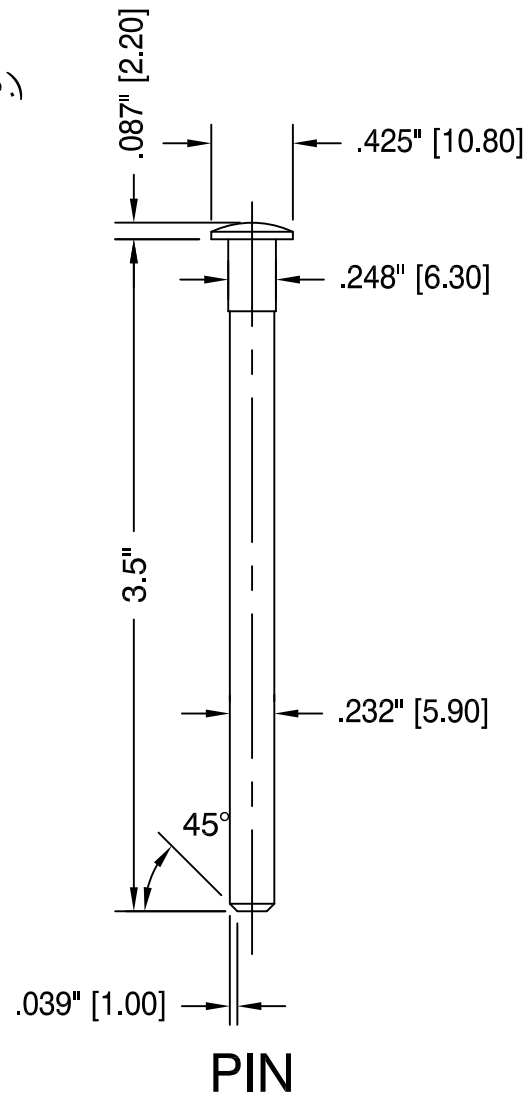
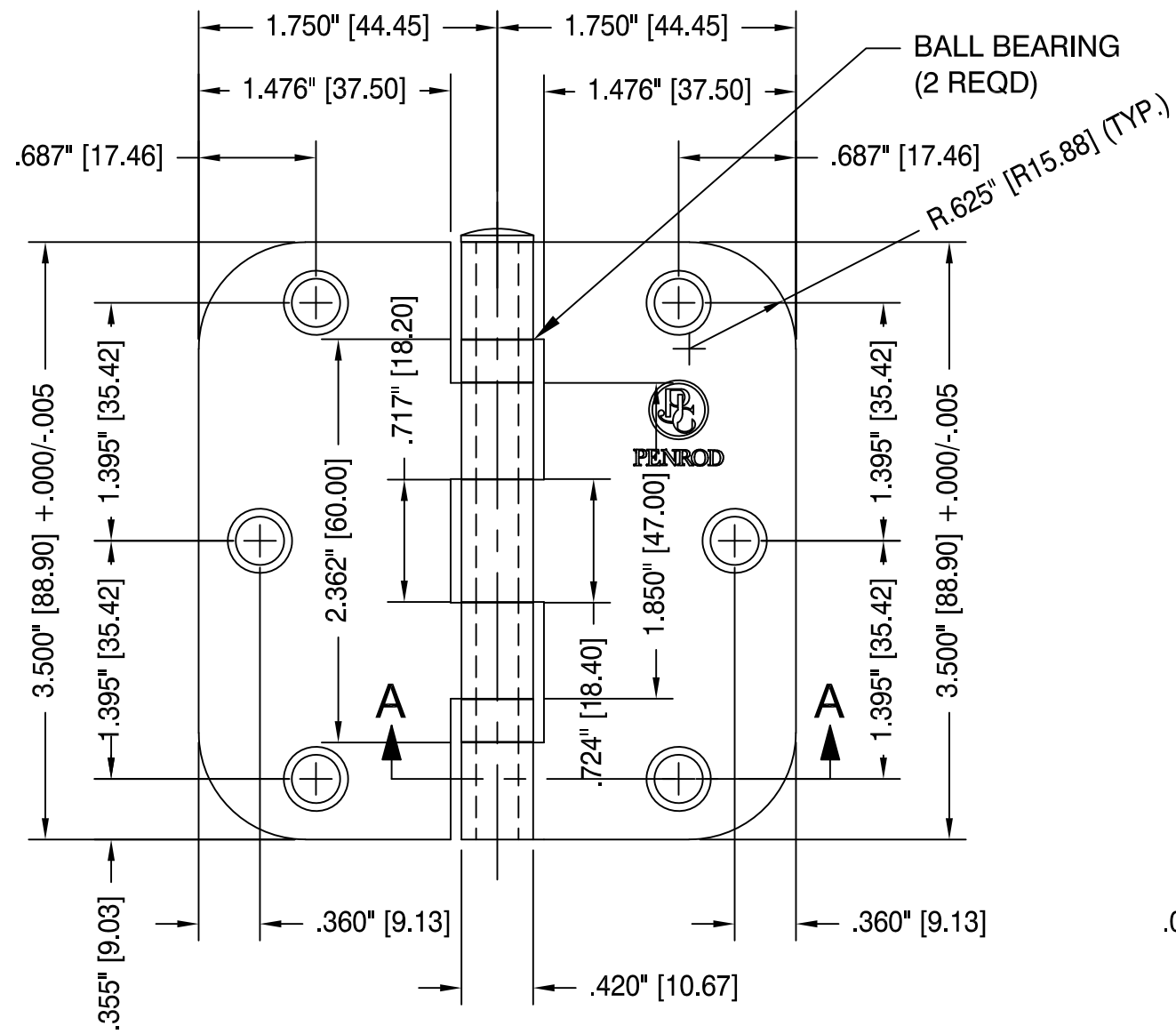
- HINGES TO BE INDIVIDUALLY CARTONED WITHIN A MASTER PKG CARTON.
- EACH MASTER PKG CARTON TO CONSIST OF 100 HINGES.
- HINGE COMPLIES WITH ANSI/BHMA A156.1.
- DIMENSION TOLERANCES ARE NOT ACCUMULATIVE.

PACKAGING AVAILABLE:

BULK, 100 PER MASTER
 BOXED, 2 PIECES PER INNER W/ SCREWS, 50 INNERS PER MASTER

ASSEMBLY:

ASSEMBLED
 UNASSEMBLED, PACKED BY LEAF W/ BOX OF PINS



TOP VIEW - ASSEMBLED

SECTION A-A

PENROD
 thepenrodcompany.com

DRW: J. ROONEY
 CHK: YONG ZOU
 APV: BRIAN POWERS

| | | | | | |
|---|------------------|--|---------------------------|----------|--|
| TOLERANCES UNLESS OTHERWISE SPECIFIED | | NOTICE THE USE OF PROPRIETARY INFORMATION CONTAINED HEREON OR REPRODUCTION OF SAME SHALL BE UNDERSTOOD AND AGREED TO BE FOR THE CONVENIENCE OF REFERENCE ONLY. IT SHALL BE FURTHER AGREED THAT THE PATENT RIGHTS AND/OR IMPROVEMENTS CANNOT BE CONSTRUED AS TRANSFERRED OR CONVEYED UNLESS AGREED TO IN WRITING BY A DULY AUTHORIZED OFFICER OF THE PENROD COMPANY. | | | |
| DECIMAL .XX = +/- .03 .XXX = +/- .005 | | TITLE: 3.5" x 3.5" 5/8" Radius x 5/8" Radius ASSEMBLED BALL BEARING | | | |
| FRACTION +/- 1/64 | SIZE B | INDEX NO. 1 | DWG NO. 3535008 | REV - | |
| ANGLE +/- 1° | SCALE: FULL | DATE: 3/24/23 | SHEET 1 OF 1 | | |