

REVISIONS					
REV	DESCRIPTION	ECR	DRN BY	DATE	CHK
-	INITIAL RELEASE	XXX	JMR	3/24/23	XXX

NOTES:

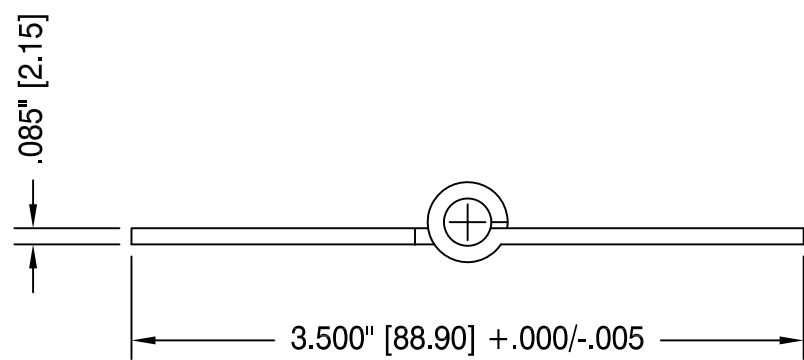
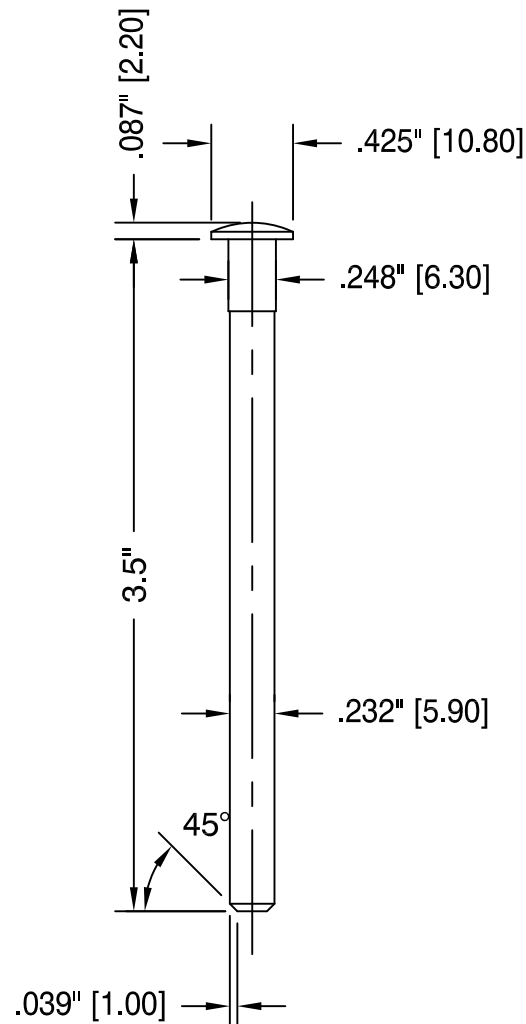
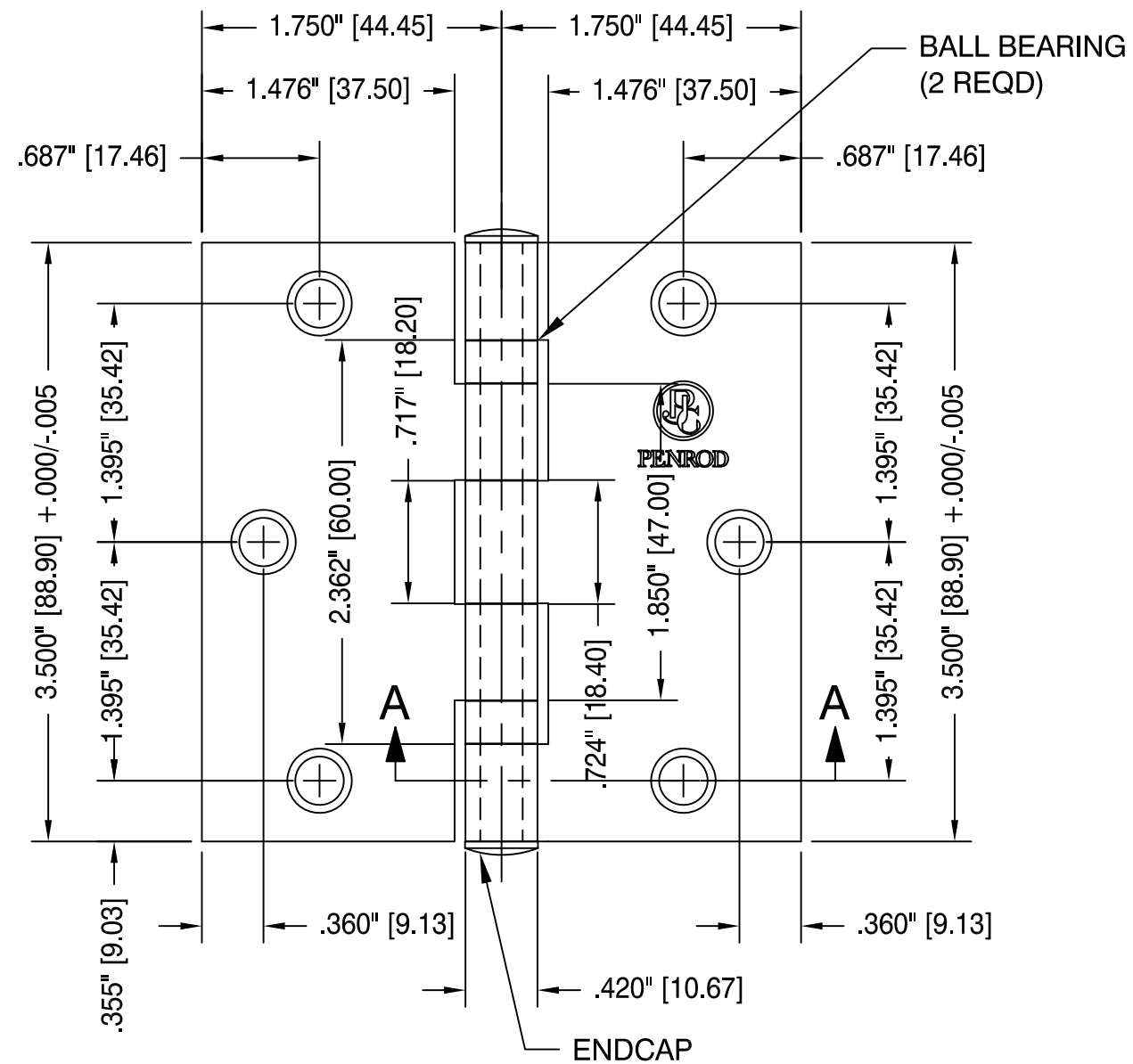
- HINGES TO BE INDIVIDUALLY CARTONED WITHIN A MASTER PKG CARTON.
- EACH MASTER PKG CARTON TO CONSIST OF 100 HINGES AND (600) #9 x 3/4" SCREWS.
- HINGES PACKED IN INNERS OF 2 WITH (12) #9 x 3/4" SCREWS.
- HINGE COMPLIES WITH ANSI/BHMA A156.1.
- DIMENSION TOLERANCES ARE NOT ACCUMULATIVE.

PACKAGING AVAILABLE:

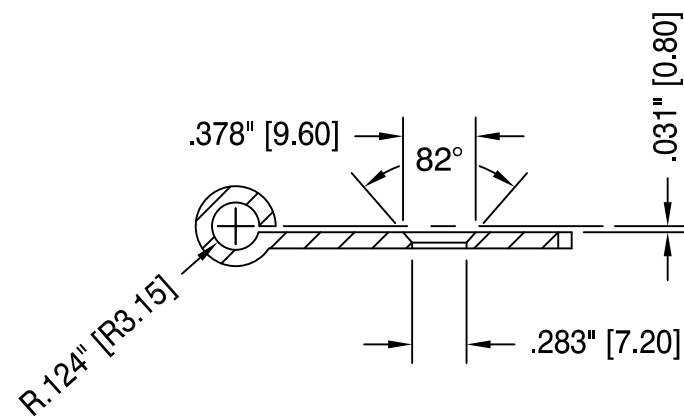
BULK, 100 PER MASTER
 BOXED, 2 PIECES PER INNER W/ SCREWS, 50 INNERS PER MASTER

ASSEMBLY:


ASSEMBLED
 UNASSEMBLED, PACKED BY LEAF W/ BOX OF PINS



TOP VIEW - ASSEMBLED



SECTION A-A

 PENROD thepenrodcompany.com	DRW: J. ROONEY
	CHK: YONG ZOU
	APV: BRIAN POWERS

TOLERANCES UNLESS OTHERWISE SPECIFIED		NOTICE THE USE OF PROPRIETARY INFORMATION CONTAINED HEREON OR REPRODUCTION OF SAME SHALL BE UNDERSTOOD AND AGREED TO BE FOR THE CONVENIENCE OF REFERENCE ONLY. IT SHALL BE FURTHER AGREED THAT THE PATENT RIGHTS AND/OR IMPROVEMENTS CANNOT BE CONSTRUED AS TRANSFERRED OR CONVEYED UNLESS AGREED TO IN WRITING BY A DULY AUTHORIZED OFFICER OF THE PENROD COMPANY.	
DECIMAL .XX = +/- .03 .XXX = +/- .005	TITLE: 3.5" x 3.5" SQUARE CORNER ASSEMBLED BALL BEARING END CAP BOXED		
FRACTION +/- 1/64	SIZE B	INDEX NO. 1	DWG NO. 3535011
ANGLE +/- 1°	SCALE: FULL	DATE: 3/24/23	SHEET 1 OF 1