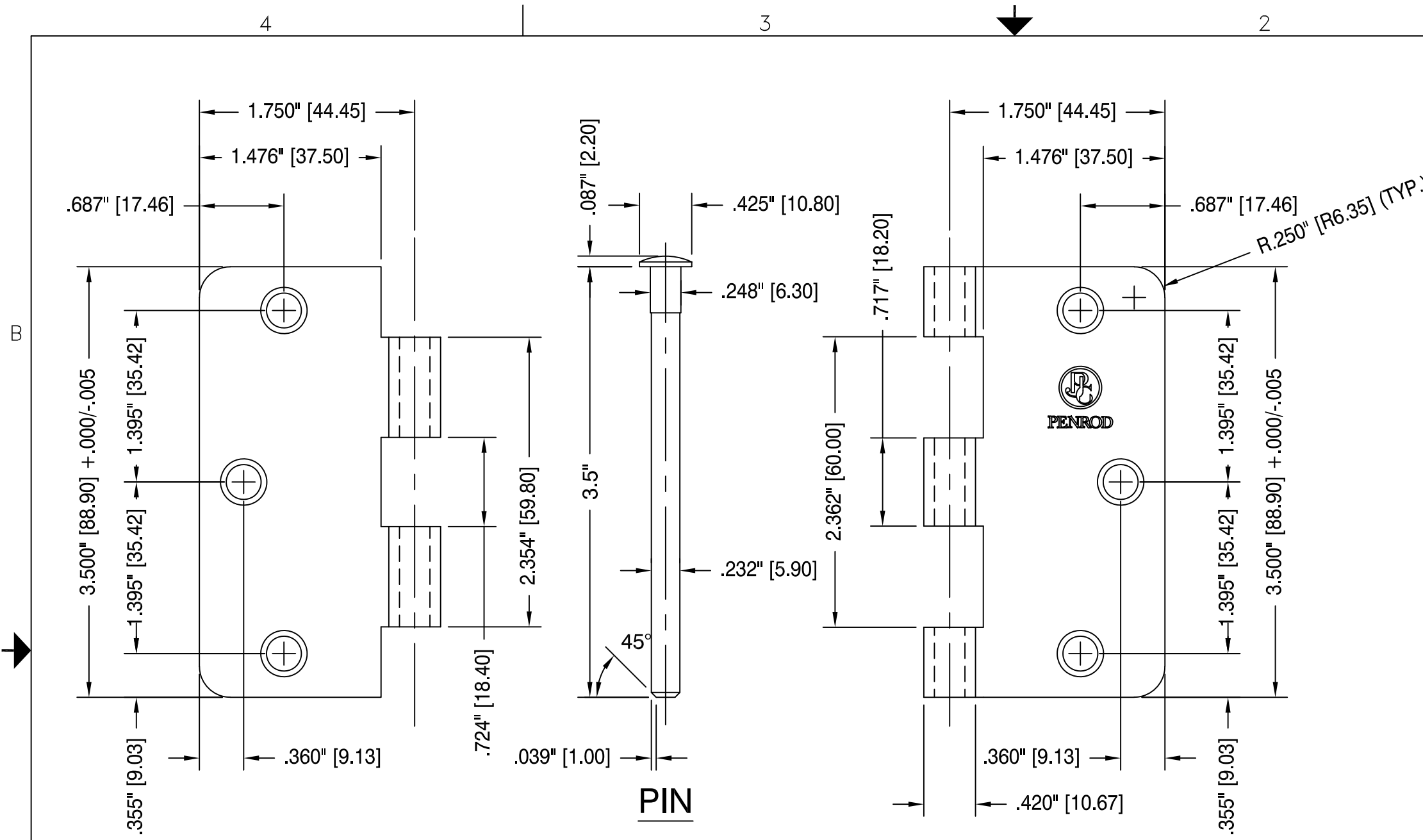


REVISIONS					
REV	DESCRIPTION	ECR	DRN BY	DATE	CHK
-	INITIAL RELEASE	XXX	JMR	3/24/23	XXX



NOTES:

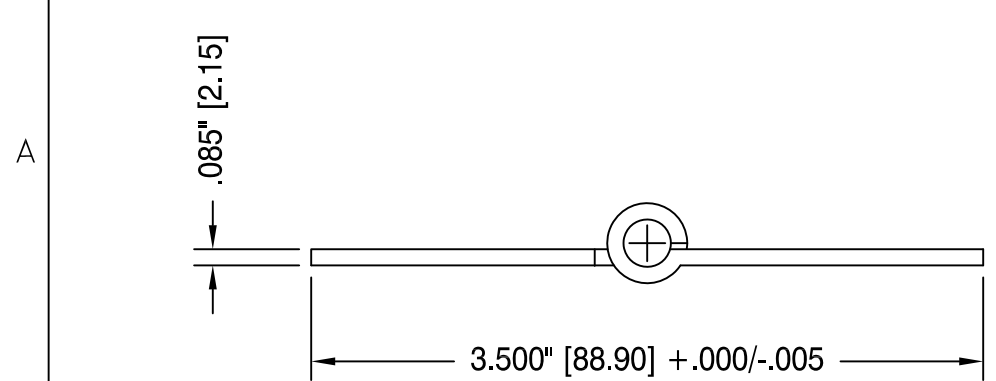
- HINGES TO BE INDIVIDUALLY CARTONED WITHIN A MASTER PKG CARTON.
- EACH MASTER PKG CARTON TO CONSIST OF 100 HINGES.
- HINGE COMPLIES WITH ANSI/BHMA A156.1.
- DIMENSION TOLERANCES ARE NOT ACCUMULATIVE.

PACKAGING AVAILABLE:

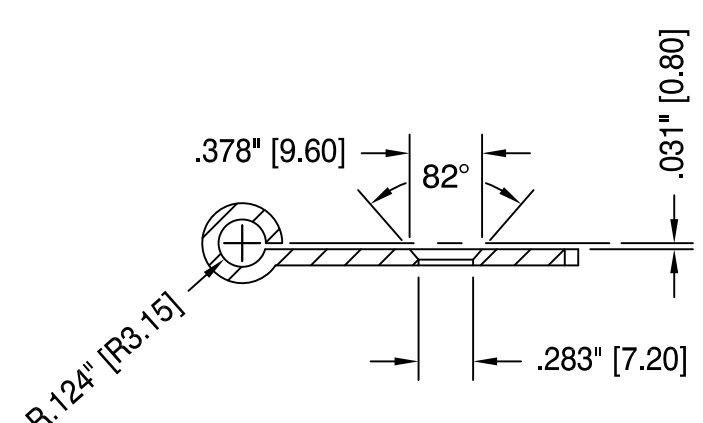
BULK ONLY, 100 PER MASTER

ASSEMBLY:


ASSEMBLED
UNASSEMBLED, PACKED BY LEAF W/ BOX OF PINS



TOP VIEW - ASSEMBLED



SECTION

 thepenrodcompany.com	DRW:	J. ROONEY
	CHK:	YONG ZOU
	APV:	BRIAN POWERS

TOLERANCES UNLESS OTHERWISE SPECIFIED DECIMAL .XX = +/- .03 .XXX = +/- .005 FRACTION +/- 1/64 ANGLE +/- 1°	NOTICE THE USE OF PROPRIETARY INFORMATION CONTAINED HEREON OR REPRODUCTION OF SAME SHALL BE UNDERSTOOD AND AGREED TO BE FOR THE CONVENIENCE OF REFERENCE ONLY. IT SHALL BE FURTHER AGREED THAT THE PATENT RIGHTS AND/OR IMPROVEMENTS CANNOT BE CONSTRUED AS TRANSFERRED OR CONVEYED UNLESS AGREED TO IN WRITING BY A DULY AUTHORIZED OFFICER OF THE PENROD COMPANY.			
	TITLE: 3.5" x 3.5" 1/4" Radius x 1/4" Radius UNASSEMBLED			
SIZE	INDEX NO.	DWG NO.	REV	
B		3535005	-	
SCALE:	FULL	DATE:	3/24/23	
		SHEET	1 OF 1	